

# Spreader Setting Guidelines

These recommended spreader settings are given for a walking speed of approximately 5km/hr. These settings are for guidance only. Exact rates, using settings below, cannot be guaranteed – rates depend on the spreader itself and accuracy of the operator. Callibrate the spreader at regular intervals, including effective spreading width.

## Rotary Spreader Settings for AccuPro 2000, SR 2000, SR-1, R8A Single pass at full rate

	Cone Setting	Effective Width(m)	Amount of product applied (g/sq.m) after one run													
			5	10	15	20	25	30	35	40	45	50	55	60	65	70
<b>Greenmaster Pro-Lite</b>																
All analyses	9	3-4				L <sup>1/2</sup>	M	N	O	P						
<b>Greenmaster Organic</b>																
12+5+11 High N	8	4.0							O	P	Q					
7+3+16 High K	8	4.0							O	P	Q					
5+3+8 Straight	8	4.0												S	T	
<b>Longlife Fine Turf</b>																
15+0+5 Finegreen NK	9	3.5							O	P	Q	R				
14+3+7 Spring & Summer	9	4.1							O <sup>1/2</sup>	P <sup>1/2</sup>	R	S				
5+5+15 Autumn	9	4.1							O	P	Q	R				
<b>Sportsmaster Sports Field</b>																
11+6+9 Spring & Summer	8	4.1							Q	R	S	T <sup>1/2</sup>				
25+0+0 Nitrogen	9	4.0							P	Q	R	S <sup>1/2</sup>				
10+10+15 Autumn Feed	8	4.0						N <sup>1/2</sup>	O <sup>1/2</sup>	Q						
12+6+9 Fairway	9	3.0							P	Q	R	S <sup>1/2</sup>				
<b>Sportsmaster Standard</b>																
9+7+7 Spring & Summer	9	4.3							O <sup>1/2</sup>	S	T <sup>1/2</sup>	V	Z <sup>1/2</sup>			
4+12+12 Autumn	8	4.6							Q <sup>1/2</sup>	S	T	U <sup>1/2</sup>	X			
12+0+9 Zero Phosphate	9	4.3							O <sup>1/2</sup>	S	T <sup>1/2</sup>	V	Z <sup>1/2</sup>			
<b>Sportsmaster Specialities</b>																
8+12+8 Preseeder	9	4.0							P	Q <sup>1/2</sup>	R <sup>1/2</sup>	T				
8+3+3 Renovator 2	8	4.1									S	T				
9+7+7 Cleanrun 3	8	4.2							P	Q <sup>1/2</sup>	R <sup>1/2</sup>	T	U			
13-15-10 Organic High N	8	4.7							P	Q <sup>1/2</sup>	S	T <sup>1/2</sup>	V			
6+5+14 Organic High K	8	4.7							P	Q <sup>1/2</sup>	S	T <sup>1/2</sup>	V			
<b>Sierrablen</b>																
28+5+5 Turfmix	2	4.0							Q <sup>1/2</sup>		S <sup>1/2</sup>		V			
27+5+5 Turfmix	2	4.2								S <sup>1/2</sup>		V				
15+0+22 Turfmix	2	4.4					P	Q	R	S						
<b>Sierrablen Fine</b>																
38+0+0	8	3.2			K <sup>1/2</sup>	L <sup>1/2</sup>	M <sup>1/2</sup>									
25+5+12	5	3.2				R	T	V <sup>1/2</sup>								
21+0+20	8	3.0				L	M	N								
15+0+29	7	4.8		J <sup>1/2</sup>	L	N	O	Q								
<b>Sierrablen Mini</b>																
22+5+10	6	3.2							M <sup>1/2</sup>			O <sup>1/2</sup>				
0+0+37	9	4.2				L <sup>1/2</sup>	N	O <sup>1/2</sup>								
<b>Sierraform</b>																
22+5+10	9	5.3				K	L <sup>1/2</sup>	N								
15+0+26	9	3.0				K	L	L <sup>1/2</sup>								
18+9+18	9	3.0				K	L	L <sup>1/2</sup>								
19+5+18	9	3.0				K	L	L <sup>1/2</sup>								
16+0+15	9	3.0				K	L									
18+24+5	9	3.5				K	L <sup>1/2</sup>	N								
K Step	9	4.9					K	L	L <sup>1/2</sup>							
STEP Hi-Mag	7	4.3	H	I <sup>1/2</sup>	K <sup>1/2</sup>											
<b>H2Pro Granular</b>	5	4		J	K <sup>1/2</sup>	M										

# Spreader Setting Guidelines

These recommended spreader settings are given for a walking speed of approximately 5km/hr. These settings are for guidance only. Exact rates, using settings below, cannot be guaranteed – rates depend on the spreader itself and accuracy of the operator. Calibrate the spreader at regular intervals, including effective spreading width.

## Rotary Spreader Settings for AccuPro 2000, SR 2000, SR-1, R8A Double pass at half rate

	Cone Setting	Effective Width (m)	Amount of product applied (g/sq.m) after two runs													
			5	10	15	20	25	30	35	40	45	50	55	60	65	70
<b>Greenmaster Pro-Lite</b>																
All analyses	9	3-4				J	J½	K	L	L½						
<b>Greenmaster Organic</b>																
12+5+11 High N	8	4.0							K	K½	L	L½				
7+3+16 High K	8	4.0							K	K½	L	L½				
5+3+8 Straight	8	4.0												M½		N
<b>Longlife Fine Turf</b>																
15+0+5 Finegreen NK	9	3.5							K	K½	L	L½				
14+3+7 Spring & Summer	9	4.1							K	L	L½	M				
5+5+15 Autumn	9	4.1							K	K½	L	L½				
<b>Sportsmaster Sports Field</b>																
11+6+9 Spring & Summer	8	4.1							L	M	M½	N				
25+0+0 Nitrogen	9	4.0							K½	L	M	M½				
10+10+15 Autumn Feed	8	4.0						K	K½	L						
12+6+9 Fairway	9	3.0							L	L½	M	M½				
<b>Sportsmaster Standard</b>																
9+7+7 Spring & Summer	9	4.3							L	M	N	N½	O	P	Q	Q½
4+12+12 Autumn	8	4.6							L½	M	N	N½	O	P	P½	Q½
12+0+9 Zero Phosphate	8	4.3							L	M	N	N½	O	P	Q	Q½
<b>Sportsmaster Specialities</b>																
8+12+8 Preseeder	9	4.0							L	L½	M	N				
8+3+3 Renovator 2	8	4.1									M½	N	N½			
9+7+7 Cleanrun 3	8	4.2							L	L½	M	N	N½	O	O½	P
13-15-10 Organic High N	8	4.7						N		O		O½				
6+5+14 Organic High K	8	4.7						N		O		O½				
<b>Sierrablen</b>																
28+5+5 Turfmix	2	4.0							L½		O		P			
27+5+5 Turfmix	2	4.2								N½		O½		Q		
15+0+22 Turfmix	2	4.4					M	M½	N½	O						
<b>Sierrablen Fine</b>																
38+0+0	8	3.2		I½	J	K										
25+5+12	5	3.2			J	J½	K									
21+0+20	8	3.0			I½	J	J½									
15+0+29	7	4.8		I	J	J½	K½	L								
<b>Sierrablen Mini</b>																
22+5+10	6	3.2			M	N	O½									
0+0+37	9	4.2			I	J	K									
<b>Sierraform</b>																
22+5+10	9	3.4		I	I½	J										
15+0+26	9	3.0			I	I½	J									
18+9+18	9	3.0			I½	J	J½									
19+5+18	9	3.0			I½	J	J½									
16+0+15	9	3.0			I	I½	J									
18+24+5	9	3.5		I	I½	J½										
K Step	9	4.9			I	I½	J									
STEP Hi-Mag	7	4.3	G½	H												
<b>H2Pro Granular</b>	9	4		H½	I	J										

## Drop Spreader Settings for SS1 and SS2 Single pass at full rate

			Amount of product applied (g/sq.m) after one pass										
			5	10	15	20	25	30	35	40	45	60	70
Greenmaster Pro-Lite	All analyses				3½	4	4½	4¾	5	5¼	5½		
Greenmaster Organic	12+5+11								7	7½	8		
Greenmaster Organic	7+3+16								6	6½	7		
Greenmaster Organic	5+3+8											9½	10
Sportsmaster Sports Field	12+6+9	Fairway			5¼	5¾	6	6½	7	7¼	7¾		
Sierrablen	All analyses				NOT RECOMMENDED								
Sierraform	22+5+10				3½	4¼	4¾	5¼	5¾				
Sierraform	15+0+26				3½	4	4½	5	5½				
Sierraform	18+9+18				4	4¼	4¾	5¼	5½				
Sierraform	16+0+15				3½	4	4½	4¾	5¼				
Sierraform	18+24+5				3½	4¼	4¾	5¼	5¾				
K Step	Trace Elements			3½	4	4½	5	5½					
STEP Hi-Mag	Trace Elements		2	2¾	3½								

## Edgeguard/Speedy Green Settings Single pass at full rate

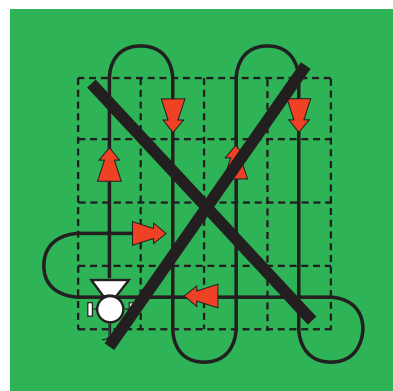
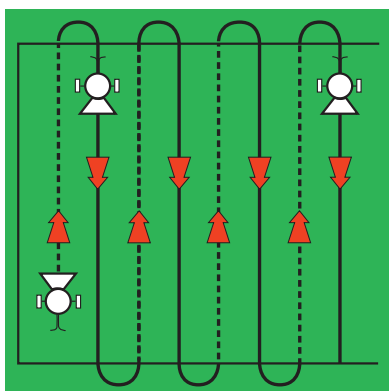
Setting	Amount applied (g/sq.m) after one pass
Greenmaster Pro-Lite	3
	4
	5
	5.5

Setting	Amount applied (g/sq.m) after one pass
Sportsmaster Spring & Summer	6
	8
	12.5
Sierrablen Fine 38-0-0	4.5
	6
	7.5

Setting	Amount applied (g/sq.m) after one pass
Sierraform	3
	4
	5
	5.5

### Recommended walking pattern for drop- & hand-held spreaders

Optimum distribution at half rate and double pass



## Nutrient Analysis of Greenmaster Liquids

Element	High N	Spring & Summer	Autumn	NK	Seafeed
Nitrogen (N)	23.0%	14.0%	8.0%	11.0%	0%
Phosphorus (P <sub>2</sub> O <sub>5</sub> )	0%	3.0%	4.0%	0%	0.06%
Potassium (K <sub>2</sub> O)	0%	10.0%	16.0%	11.0%	0.3%
Sulphur (SO <sub>3</sub> )					0.04%
Iron (Fe)			1.0.0%		Trace
Zinc (Zn)	0.014%	0.014%		0.014%	Trace
Magnesium (MgO)	1.0%			0.06%	0.04%
Manganese (Mn)	0.007%	0.007%		0.007%	
Copper (Cu)	0.002%	0.002%		0.002%	
Boron (B)	Trace	Trace		Trace	15mg/kg
Molybdenum (Mo)	0.0007%	0.0007%		0.0007%	Trace
Calcium (Ca)					0.03%